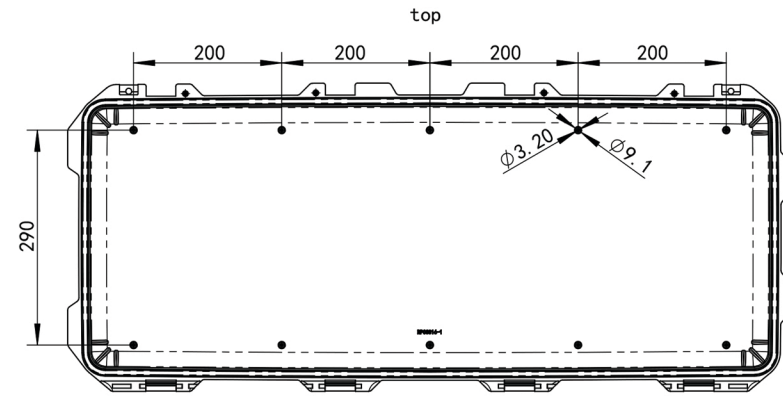
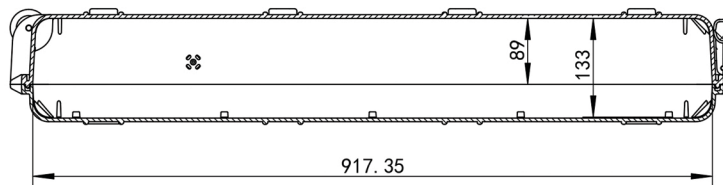
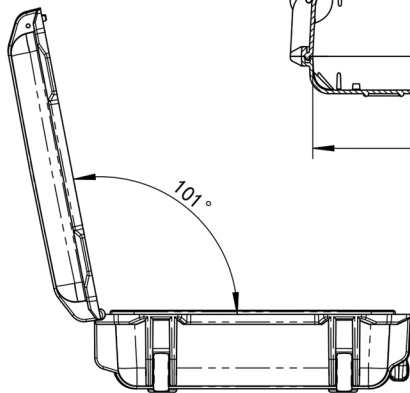
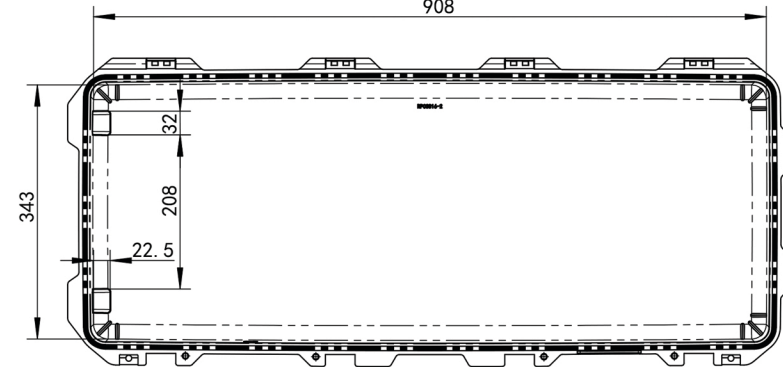


B-B



bottom



Drawing	Anditing	Confirm	Custom Name		Material	PP	
			Product Name		Drawing Scale	1: 1	A
			Product Code	SSM3816	Project View	(mm)	
Page 1 of 1							