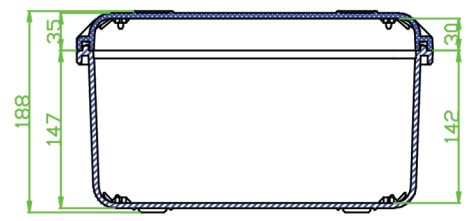
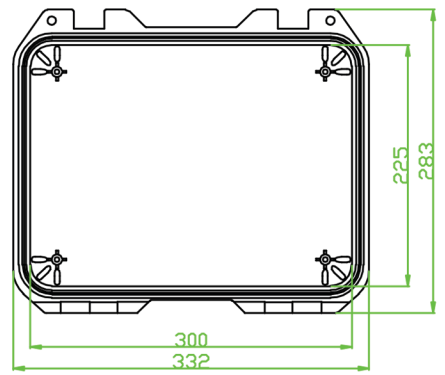
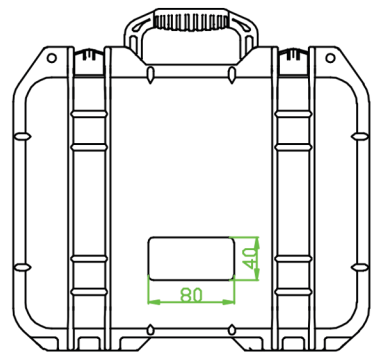
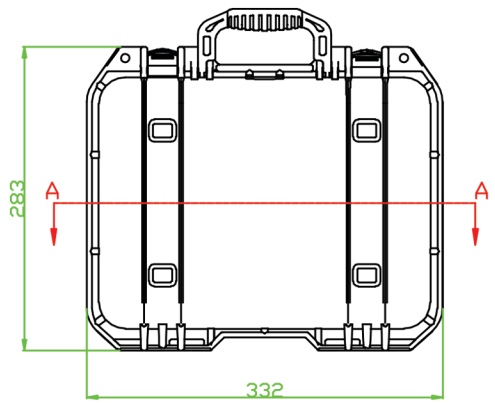
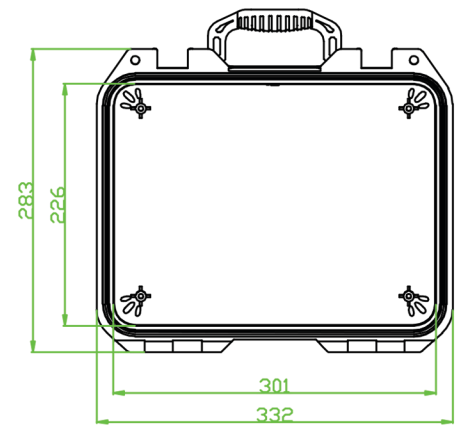
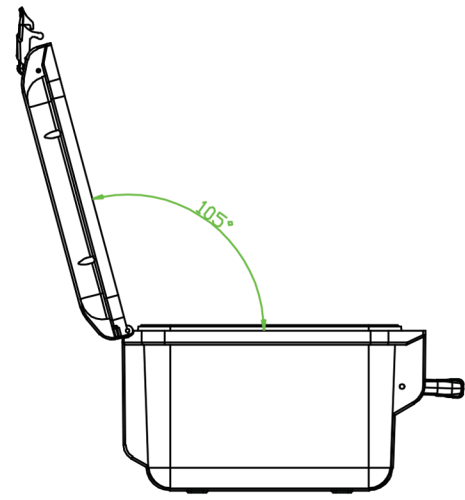


REVISION RECORD				
REV	ECD	DESCRIPTION	DRFT	CHKD



A-A



DETACHED LISTS			NAME	DATE	
	TOLERANCES EXCEPT AS NOTED		DRAWN	06/01/2017	
	ALL TOLERANCES IT13		CHECKED		
	FDAM TOLERANCES +/- 3mm		ENG APPR		
	CNC TOLERANCES +/- 0.5mm				
	MATERIAL : PP		TITLE		
	QT'Y : 1		SSM1319		
	FINISH:		DRAWING NO.		SIZE
	SCALE : 1:1		/PART NO. 00		A4
	FIRST ANGLE PROJECTION		DO NOT SCALE DRAWING		REV
			SHEET 1		OF 1