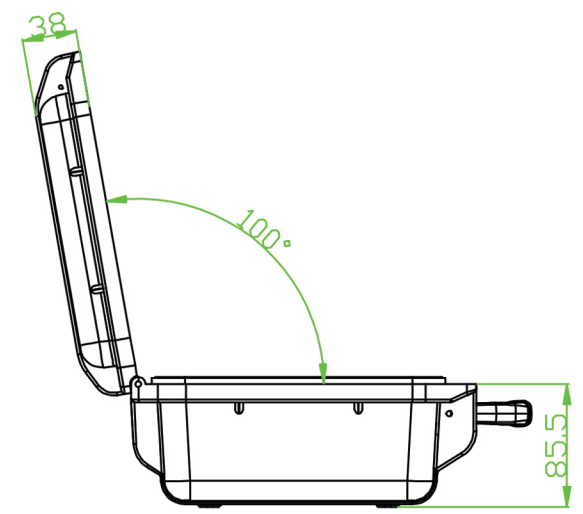
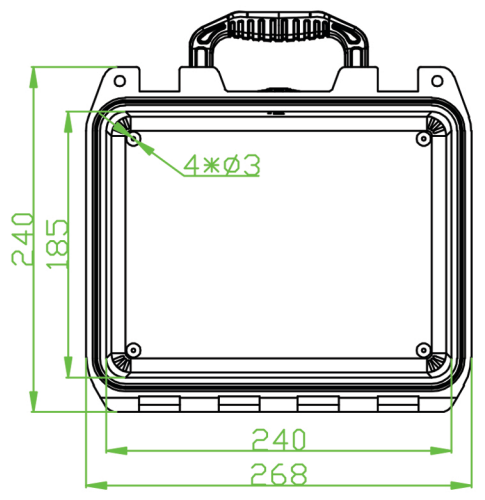
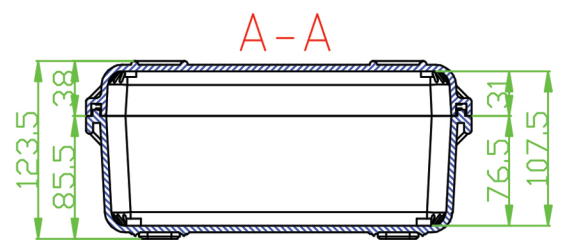
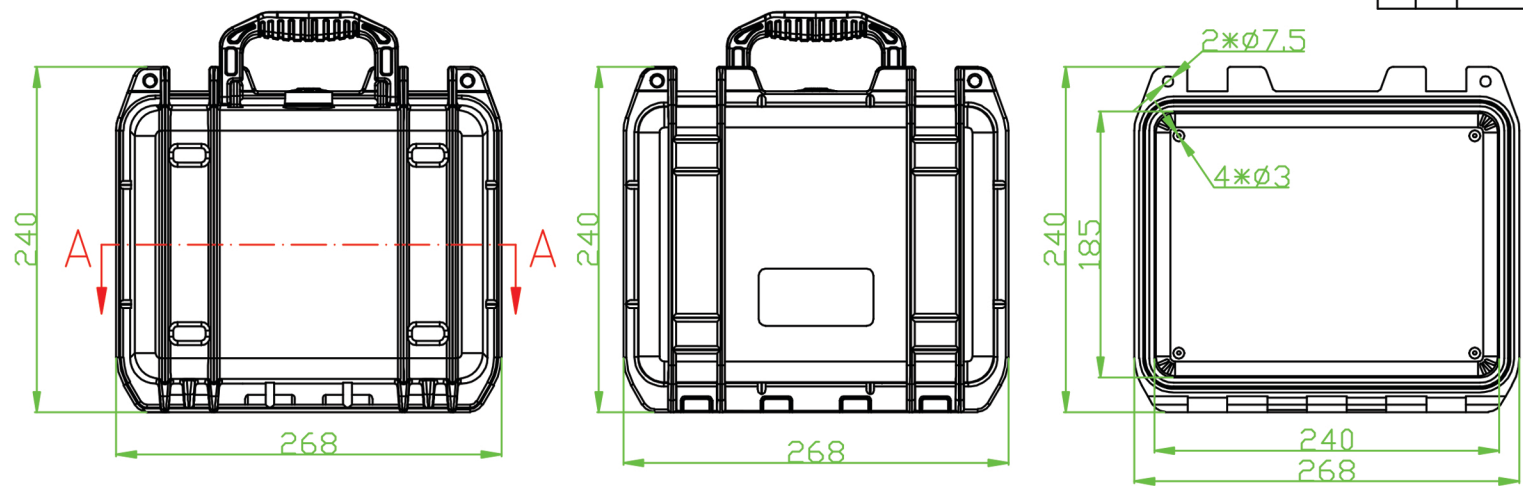


REVISION RECORD				
REV	ECD	DESCRIPTION	DRFT	CHKD



DETACHED LISTS	MM (INCH)	NAME	DATE		DRAWING NO.		SIZE	REV	
	TOLERANCES EXCEPT AS NOTED	DRAWN	Kent		09/02/2016	TITLE		A4	
	ALL TOLERANCES IT13	CHECKED				SSM1112			
	FDAM TOLERANCES +/- 0.3mm	ENG APPR				DRAWING NO.			
	CNC TOLERANCES +/- 0.5mm	MATERIAL :	PP			/PART NO. 00			
FIRST ANGLE PROJECTION	FINISH:			SCALE : 1:1		DO NOT SCALE DRAWING	SHEET 1	OF 1	